

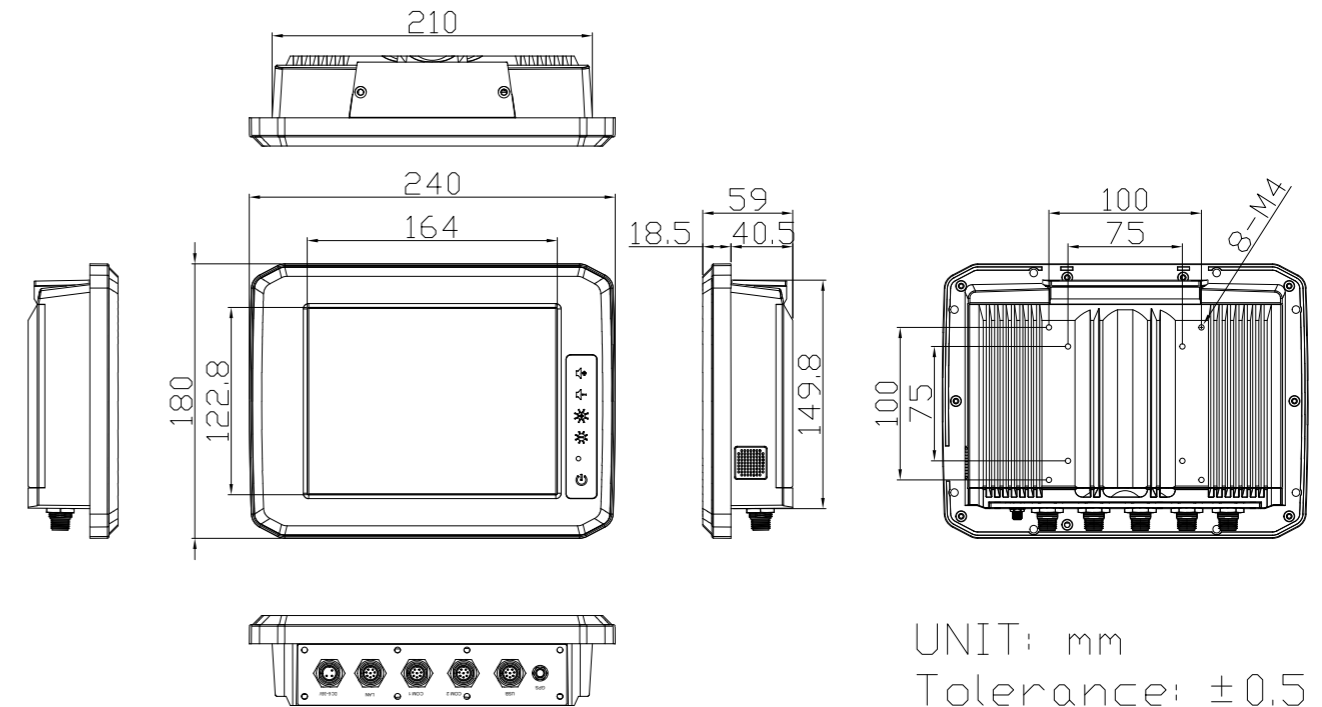
Features

- Rugged engineering plastics enclosure and fanless design
- High brightness LED backlight LCD
- Intel Atom Processor E3845
- 4G DDR3L memory on board
- Wide Range DC 6~36V Power Input
- Total 6 sides IP66
- Resistive touch screen, projected capacitive touch screen is for option (without OSD keypad function)
- Front OSD keypad control
Power on/off
Brightness up (up to 100%)
Brightness down (dim to 0%)
LED indicator: power on/off

Specifications

System	
CPU	Intel Atom Processor E3845(2M Cache, 1.91GHz)
Memory	Onboard 4GB DDR3L Memory
Function Keypad	5 keys Brightness up/Brightness down Control 0~100% Volume up/Volume down via Audio Power on/off LED Indicator: Power on/off
Speaker	1 x 2W IP65 Speaker
IO Port	
Standard I/O	1 x M12 for 2 x USB 2.0 1 x M12 for LAN 1 x M12 for RS-232/422/485, Default RS-232 1 x DC power input (6~36V) by M12 connector 1 x SMA connector for option GPS antenna
Storage Space	
Storage	1 x Micro SD on board 1 x mSATA MO-300 slot
Expansion	
Expansion slot	1 x Mini-PCIe full size for option 3G/LTE/GPS 1 x Mini-PCIe half size slot for option WIFI/BT 1 x SIM slot on board
Display	
Display Type	8" TFT-LCD
Max. Resolution	800 x 600
Max. Color	16.2M
Luminance (cd/m ²)	600 (option 1000 nits)
View Angle	140(H) /125(V)
Contrast	500:1
Backlight Lifetime	50,000 hrs
Touch Screen	
Type	Resistive Touch Window Type (Default) Projected Capacitive Touch Screen (Option)
Interface	USB
Light Transmission(%)	Resistive Touch : 80% Projected Capacitive : 90%
Power	
Power Input	6~36V DC (Default)
Optional Power	6~36V DC + Ignition / VCC Power
Power Consumption	MAX: 19.8W

Dimensions



UNIT: mm
Tolerance: ±0.5

Mechanical	
Construction	Engineer Plastic Front Bezel and Rear Cover; Aluminum Heatsink.
Mounting	VESA Mount 75 x 75/ 100 x 100/ Adjustable Stand (option)
IP Rating	Total IP66
Dimensions	240 x 180 x 59 mm
Net Weight	2 kg
Environmental	
Operating Temperature	0~50°C WT1: -20°C~60°C for option
Storage Temperature	-30~80°C
Humidity	10 to 90% @ 40°C, non-condensing
Certificate	CE/FCC Class A/ MIL810F/ IEC60068-2-27 for vibration/ Shock
Operating System Support	
Windows 7 Professional for Embedded Systems Windows 7 Ultimate for Embedded Systems Windows Embedded 8.1 Pro Windows Embedded 8.1 Industry Pro Windows 10 IoT 2016	
Ordering Information	
APC-3082T-02	8" SVGA total IP66 design plastic panel PC, Intel Atom Processor E3845, DDR3L 4G on board, 8G SLC mSATA, with resistive touch screen, 6~36V DC power input with adapter.