

Features

- 23.8" New Generation Stainless Steel Panel PC
- 8th Gen. Intel Core i3/i5 BGA type Processor
- True Flat Front Bezel Design and Grade 304 Stainless Steel Enclosure (Grade 316 for Option)
- IP66/IP69K Rated with M12 Connectors
- Support Projected Capacitive Touch
- Touch on/off Button on the Side Edge for Hygienic Cleaning
- Support Ergonomic Versatile Mounting: Yoke Mounting / Space-saving VESA 200 x 100 mm Mounting

Specifications

System	
CPU	Core i5-8365UE(Quad Core, 6 MB cache, 1.6GHz) Core i3-8145UE(Dual Core, 4 MB cache, 2.2GHz)
System Chipset	SoC
Memory	1 x 260-pin SO-DIMM up to 32GB DDR4 2400MHz
TPM	TPM 2.0

IO Port	
USB	1 x M12 8-pin for USB 2.0 with waterproof cover
Serial / Parallel	1 x M12 8-pin COM1, RS-232/422/485, default RS-232, with waterproof cover
LAN	1 x M12 8-pin for LAN with waterproof cover
Others	1 x Touch on/off button at the side
Power Connector	1 x M12 3-pin for DC power with waterproof cover 1 x Power switch on the rear
Option	2 x optional blank M12 connectors with waterproof cap for selecting two from the following options: 2 x USB 2.0 1 x USB 3.0 1 x LAN 1 x COM

Storage Space	
HDD	1 x 2.5" SATA3 HDD (for option)
M.2	1 x M.2 M-Key(PCIe x4/ SATA3 Auto Detect), Support 2242 at Default

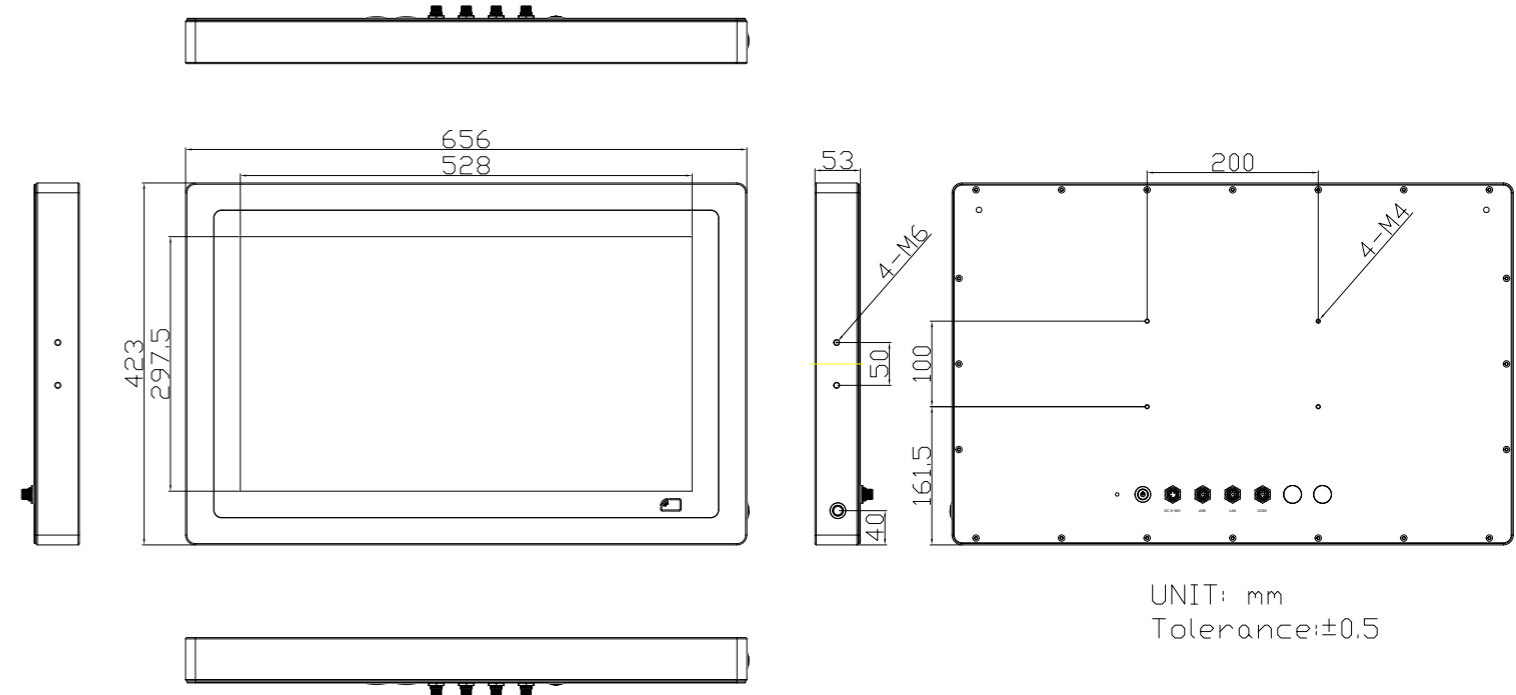
Expansion	
Expansion slot	1 x Mini-PCIe slot (PCIe/ USB2.0) for optional Wi-Fi/BT/LTE module 1 x Nano SIM card onboard
RFID module	RFID module design on the front side (for option)

Display	Standard	High Brightness Optional
Display Type	23.8" TFT-LCD	23.8" TFT-LCD
Max. Resolution	1920 x 1080	1920 x 1080
Max. Color	16.7M	16.7M
Luminance (cd/m ²)	250	1000
View Angle	178(H)/178(V)	178(H)/178(V)
Contrast	3000:1	3000:1
Backlight Lifetime	30,000 hrs	30,000 hrs

Touch Screen	
Type	Projected Capacitive (for BP model)
Interface	USB
Light Transmission(%)	Projected Capacitive : 90%

Power	
Power Input	DC 9~36V
Power Consumption	VITAM-924BP: 42.54W (MAX)

Dimensions



Mechanical	
Construction	304 Stainless steel chassis(default), 316 Stainless steel chassis(optional)
Mounting	VESA mount 200 x 100, Yoke mount for optional
IP Rating	Total IP66/IP69K
Dimensions	656 x 423 x 53 mm
Net Weight	13 kg

Environmental	
Operating Temperature	0~50°C
Storage Temperature	-30~70°C
Humidity	10 to 95% @ 40°C, non-condensing
Certificate	CE/FCC Class A, UL

Operating System Support	
Windows 10, Windows 11	

Accessory	
1 x M12 USB2.0 Y-Cable, L=3M	

Ordering Information	
VITAM-924BP	23.8" FHD IP66/IP69K stainless steel panel pc, Intel 8th Gen. Core i Processor, 1 x SO-DIMM DDR4 slots, 128GB TLC SSD, projected capacitive touch, 9~36V DC power input with Adapter
VITAM-924BPH	23.8" FHD IP66/IP69K stainless steel panel pc, Intel 8th Gen. Core i Processor, 1 x SO-DIMM DDR4 slots, 128GB TLC SSD, projected capacitive touch, 9~36V DC power input with Adapter, 1000 nits