

Features

- 23.8" New Generation Stainless Steel Display
- True Flat Front Bezel Design and Grade 304 Stainless Steel Enclosure (Grade 316 for Option)
- IP66/IP69K Rated with M12 Connectors
- Support Resistive Touch, Projected Capacitive Touch, and Glass
- Touch on/off Button on the Side Edge for Hygienic Cleaning
- Support Ergonomic Versatile Mounting: Yoke Mounting / Space-saving VESA 200 x 100 mm Mounting

Specifications

IO Port	
VGA	1 x M12 12-pin for VGA with waterproof cover and chain
HDMI	1 x M12 HDMI with waterproof cover and chain
Speaker	1 x 2W IP65 speaker (option)
OSD Control Membrane	OSD on the rear side
Power Connector	1 x M12 3-pin for DC power with waterproof cover and chain

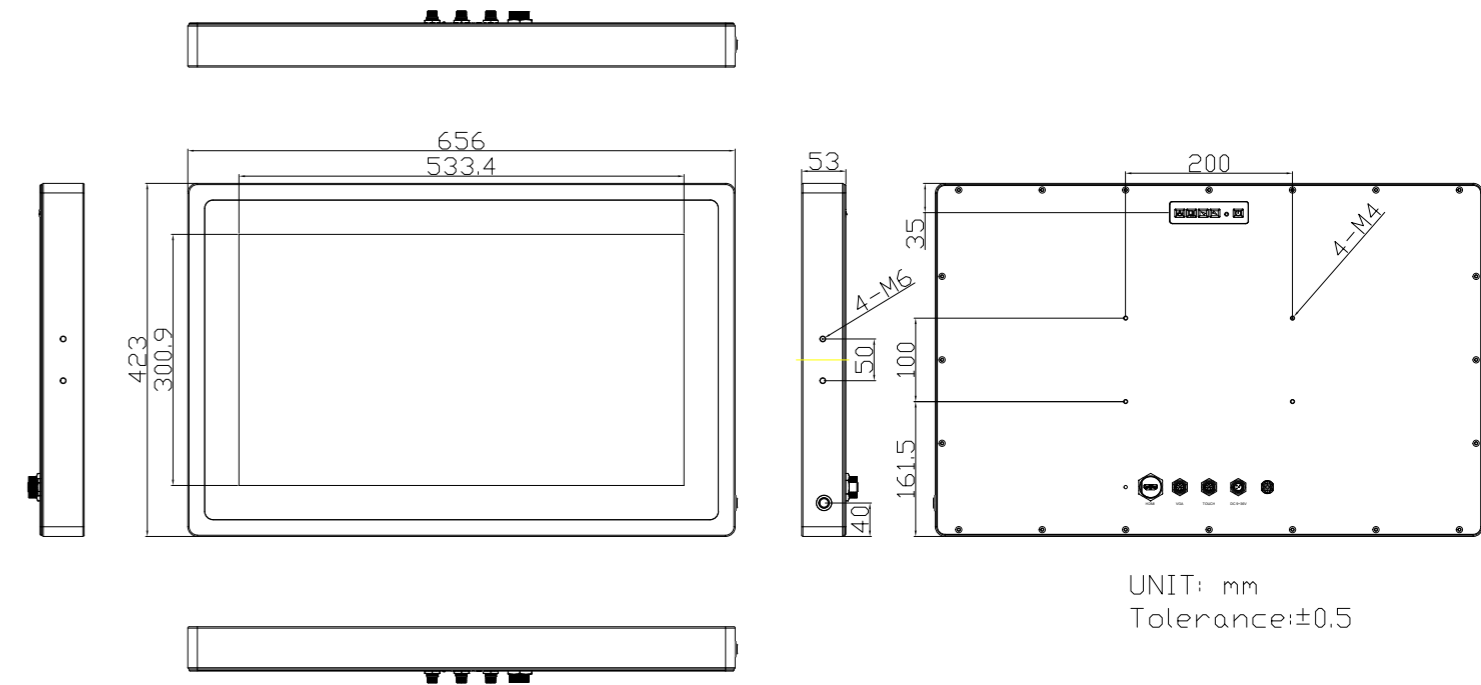
Display	Standard	High Brightness Optional
Display Type	23.8" TFT-LCD	23.8" TFT-LCD
Max. Resolution	1920 x 1080	1920 x 1080
Max. Color	16.7M	16.7M
Luminance (cd/m ²)	250	1000
View Angle	178(H) /178(V)	178(H) /178(V)
Contrast	3000:1	5000:1
Backlight Lifetime	30,000 hrs	50,000 hrs
Option	Optical Bonding	Optical Bonding

Touch Screen	
Type	Projected Capacitive Touch (For P model) Glass (For G model)
Interface	USB
Light Transmission(%)	Projected Capacitive : 90%

Power	
Power Input	DC 9~36V
Power Consumption	VITAM-124P: 32W VITAM-124PH: 45.1W

Mechanical	
Construction	304 Stainless steel chassis(default), 316 Stainless steel chassis(optional)
Mounting	VESA Mount 200 x 100, Yoke mount (option)
IP Rating	Total IP66/IP69K
Dimensions	656 x 423 x 53 mm
Net Weight	12.6 kg

Dimensions



UNIT: mm
Tolerance:±0.5

Environmental	
Operating Temperature	0~50°C
Storage Temperature	-30~70°C
Storage Humidity	10 to 90% @ 40°C, non- condensing
Certificate	CE/FCC Class A

Ordering Information	
VITAM-124P	23.8" FHD IP66/IP69K stainless steel display, VGA/HDMI input, OSD on the rear side, projected capacitive touch, 9~36V DC power input with Adapter
VITAM-124G	23.8" FHD IP66/IP69K stainless steel display, VGA/HDMI input, OSD on the rear side, protection glass, 9~36V DC power input with Adapter
VITAM-124PH	23.8" FHD IP66/IP69K stainless steel display, VGA/HDMI input, OSD on the rear side, projected capacitive touch, 9~36V DC power input with Adapter, 1,000 nits LCD
VITAM-124GH	23.8" FHD IP66/IP69K stainless steel display, VGA/HDMI input, OSD on the rear side, protection glass, 9~36V DC power input with Adapter, 1,000 nits LCD