

Features

- 17" Industrial Compact Size Panel PC
- Intel Celeron N2930(1.83GHz) CPU built-in / Atom E3845(1.91GHz) for option
- Onboard 4GB DDR3L 1333MHz/ 8GB(option)
- Flat Front Panel Touch Screen and Fanless Design
- DC 9~36V Wide-Ranging Power Input
- IP66 Compliant Front Panel
- Optional Projected Capacitive Touch Screen Support 7H Anti-Scratch Surface
- High Brightness 1,000 nits for option

Specifications

System	
CPU	Intel Celeron N2930 Processor (2M Cache,1.83GHz) Atom E3845 Processor (2M Cache,1.91GHz)
System Chipset	SoC
Memory	Onboard 4GB DDR3L SDRAM, up to 8GB (option)

I/O Port	
USB	2 x USB 3.0 type A
Serial / Parallel	1 x DB-9 RS-232/422/485, COM1 (Default RS-232) 1 x RS-232 DB-9, COM2
Audio	1 x Audio Line Out
LAN	2 x GbE LAN RJ-45
Power	1 x 3-pin DC power input terminal 1 x 2-pin connector for power on/off button

Option	
	VESA Stand
	4G LTE/WIFI/ BT
	4 x USB 2.0 type A (TB-528U4)
	4 x USB 2.0 type A + 1 x Mini-PCIe + 1 x SIM slot (TB-528U4ME1)
	2 x COM (RS-232) (TB-528C2)
	1 x COM (RS-232) + 2 x USB 2.0 (TB-528C1U2)
	1 x COM (RS-232) + 2 x USB 2.0 + 1 x Power Button (TB-528C1U2P1)
	2 x COM (RS-232) + 1 x Mini-PCIe slot + 1 x SIM slot (TB-528C2ME1)
	2 x COM (RS-422/485, isolated) (TB-528C2I)
	2 x CAN (TB-528CAN2)
	1 x LAN + 2 x USB 2.0 type A (TB-528E1U2)
	1 x LAN(45W isolated PoE PD) + 2 x USB 2.0 type A (TB528E1U2UPOE)
	Backup Battery 21W/10.8V/1.95Ah(3S1P)
	System is only allowed to build in either TB-528 PoE series or backup battery

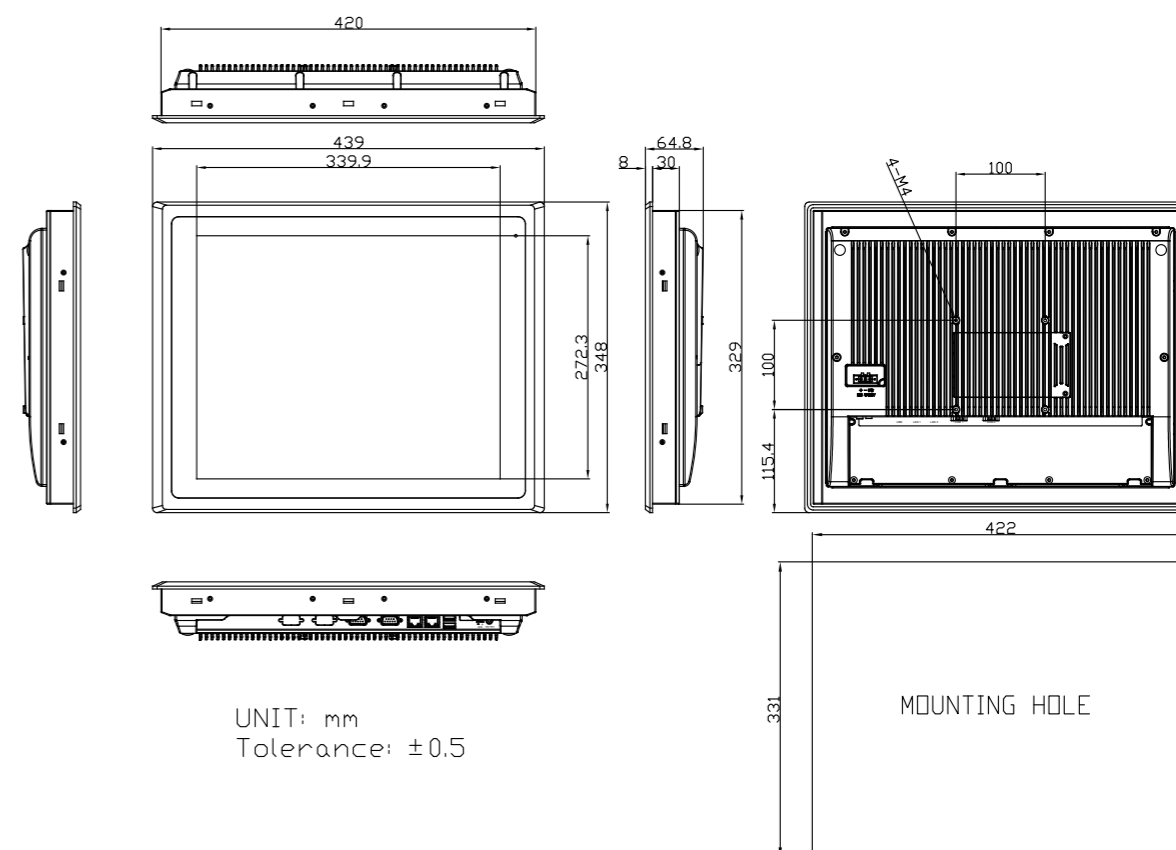
Storage Space	
HDD	1 x 2.5" SATA3 HDD space
Movable Device	1 x Micro SD card slot, up to 32GB

Expansion	
Onboard Expansion bus	1 x Mini-PCIe slot (full size) 1 x Micro SIM slot

Display	Standard	High Brightness Optional
Display Type	17" TFT-LCD	17" TFT-LCD
Max. Resolution	1280 x 1024	1280 x 1024
Max. Color	16.2M	16.7M
Luminance (cd/m ²)	350	1000
View Angle	170(H) / 160(V)	140(H) / 140(V)
Contrast	1000:1	800:1
Backlight Lifetime	30,000 hrs	50,000 hrs

Touch Screen	
Type	Resistive Touch Projected Capacitive Touch (for P model)
Interface	USB
Light Transmission(%)	Resistive Touch: 80% Projected Capacitive Touch: 90%

Dimensions



Power	
Power Input	DC 9~36V
Power Consumption	ARCHMI-817P: 38W (MAX)

Mechanical	
Construction	Aluminum Chassis
Mounting	Panel Mount, VESA 100 x 100
Dimensions (WxHxD)	439 x 348 x 64.8 mm
IP Rating	IP66 Compliant Front Bezel
Net Weight	6.02 kg

Environmental	
Operating Temperature	0~50°C/ -20~60°C (option)
Storage Temperature	-30~70°C
Humidity	10 to 90%@ 40°C, non-condensing
Certificate	CE/FCC Class A/CB/UL

Operating System Support	
Windows 10 IoT	

Ordering Information	
ARCHMI-817	17" SXGA Fanless HMI barebone with Intel N2930 1.83G CPU, 2GB DDR3L RAM, Resistive touch screen, DC 9~36V input with adapter, Aluminum chassis
ARCHMI-817P	17" SXGA Fanless HMI barebone with Intel N2930 1.83G CPU, 2GB DDR3L RAM, Projected Capacitive touch screen, DC 9~36V input with adapter, Aluminum chassis
ARCHMI-817H	17" SXGA fanless HMI barebone with Celeron N2930(1.83.GHz) CPU, 4GB DDR3L RAM, Resistive touch screen, DC 9~36V input with adapter, Aluminum chassis, 1,000 nits LCD
ARCHMI-817PH	17" SXGA fanless HMI barebone with Celeron N2930(1.83.GHz) CPU, 4GB DDR3L RAM, Projected Capacitive touch, DC 9~36V input with adapter, Aluminum chassis, 1,000 nits LCD