



## Features

- 8" Industrial Compact Size Panel PC
- Intel Celeron N2930(1.83GHz) CPU built-in / Atom E3845(1.91GHz) for option
- Onboard 4GB DDR3L 1333MHz/8GB(option)
- Flat Front Panel Touch Screen and Fanless Design
- DC 9~36V Wide-Ranging Power Input
- IP66 Compliant Front Panel
- Optional Projected Capacitive Touch Screen Support 7H Anti-Scratch Surface
- High Brightness 1,000 nits for Option

## Specifications

System	
CPU	Onboard Intel Celeron N2930(1.83GHz) Onboard Intel Atom E3845(1.91GHz) for option
System Chipset	SoC
Memory	Onboard 4GB DDR3L 1333MHz/8GB(option)

I/O Port	
USB	2 x USB 3.0 type A
Serial / Parallel	1 x DB-9 RS-232/422/485, COM1 (Default RS-232) 1 x RS-232 DB-9, COM2
Audio	1 x Audio Line Out
LAN	2 x GbE LAN RJ-45
Power	1 x 3-pin DC power input terminal 1 x 2-pin connector for power on/off button

Storage Space	
HDD	1 x MO-297 SATA SSD bay (Easy Accessible)
Movable Device	1 x SD card slot, up to 32GB

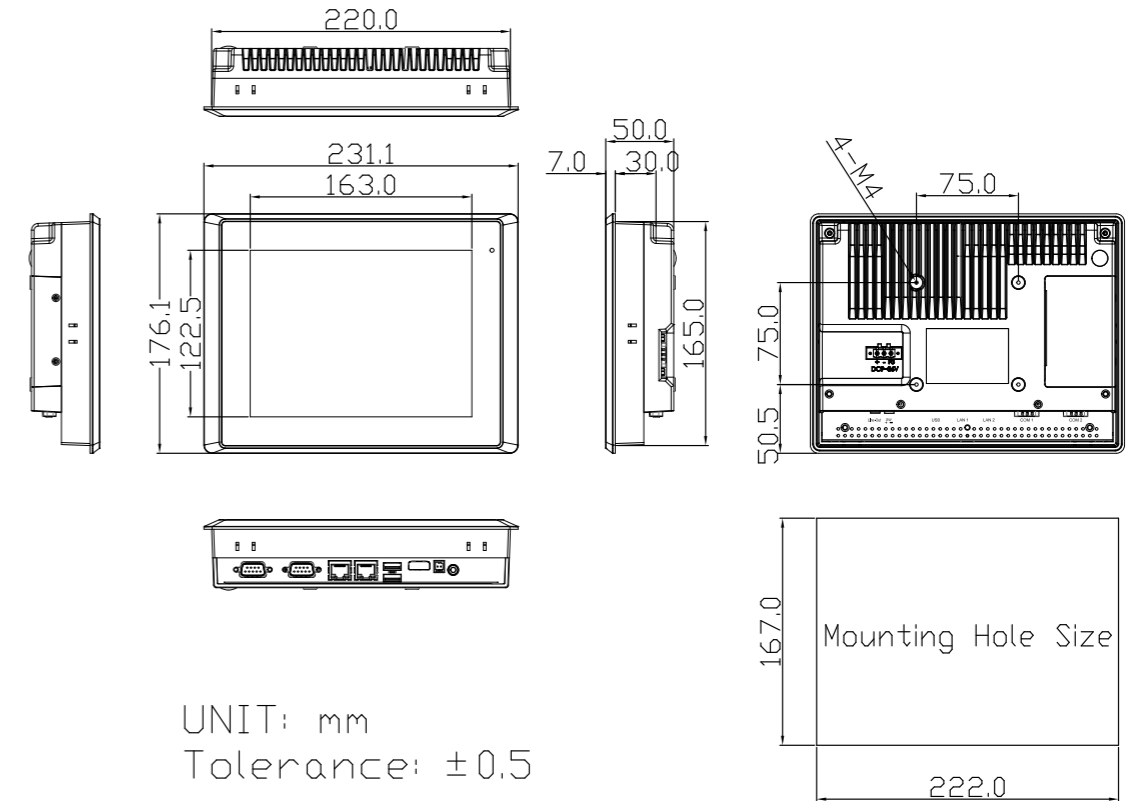
Expansion	
Expansion Slot	1 x Internal Mini-PCIe slot full size

Display	Standard	High Brightness Optional
Display Type	8" TFT-LCD	8" TFT-LCD
Max. Resolution	800 x 600	800 x 600
Max. Color	16.2M	16.2M
Luminance (cd/m <sup>2</sup> )	350	1000
View Angle	140(H) / 125(V)	140(H) / 125(V)
Contrast	500:1	500:1
Backlight Lifetime	40,000 hrs	40,000 hrs

Touch Screen	
Type	Resistive Touch Window Projected Capacitive Touch (For P Model)
Interface	USB
Light Transmission(%)	Resistive Touch Window: over 80% Projected Capacitive Touch: over 90%

Power	
Power Input	DC 9~36V
Power Consumption	ARCHMI-808P: 23W

## Dimensions



Mechanical	
Color	RAL 9007
Construction	Aluminum Die-casting Chassis
Mounting	Panel Mount, VESA 75 x 75
Dimensions (WxHxD)	231mm x 176mm x 50mm
IP Rating	IP66 Compliant Front Bezel
Net Weight	1.9 kg

Environmental	
Operating Temperature	0~50°C
Storage Temperature	-30~70°C
Storage Humidity	10 to 90%@ 40°C, non-condensing
Certificate	CE/FCC Class A/CB/UL

Operating System Support	
Windows 7, WEC 7, Windows 8.1, Windows 10	

Ordering Information	
ARCHMI-808-01	8" SVGA Fanless HMI barebone with Intel Celeron N2930 1.83GHz CPU, 4GB DDR3L RAM, Resistive touch screen, DC 9~36V input with adapter, Aluminum chassis
ARCHMI-808P-01	8" SVGA Fanless HMI barebone with Intel Celeron N2930 1.83GHz CPU, 4GB DDR3L RAM, Projected capacitive touch screen, DC 9~36V input with adapter, Aluminum chassis
ARCHMI-808H-01	8" SVGA Fanless HMI barebone with Intel Celeron N2930 1.83GHz CPU, 4GB DDR3L RAM, Resistive touch screen, DC 9~36V input with adapter, Aluminum chassis, High brightness 1,000nits LCD
ARCHMI-808PH-01	8" SVGA Fanless HMI barebone with Intel Celeron N2930 1.83GHz CPU, 4GB DDR3L RAM, Projected capacitive touch screen, DC 9~36V input with adapter, Aluminum chassis, High brightness 1,000nits LCD



VIVATECH LLC  
Sharjah Media City, Sharjah, UAE  
Call: +97 1589584527  
Call: +91 9004784527  
Email : [sales@vivatech.ae](mailto:sales@vivatech.ae)  
Website : [www.vivatech.ae](http://www.vivatech.ae)