

Features

- Solid aluminum die-casting chassis
- IP66 compliant front panel / IP69K (option)
- VGA and DVI-D input
- System power LED light
- Wide range DC 9~36V power input
- High Brightness LCD for option
- Support protective AR glass for option (non-touch version)

Specifications

I/O Port	
VGA	1 x VGA
DVI	1 x DVI-D
OSD Control Membrane	OSD on rear side On board controller, extendable key pad from connector
Power	1 x 3-pin terminal block for DC 9~36V power input
Others	1 x USB type A for touch control Optional I/O: 1 x Line in by phone jack 1 x RS-232 DB-9 for touch control

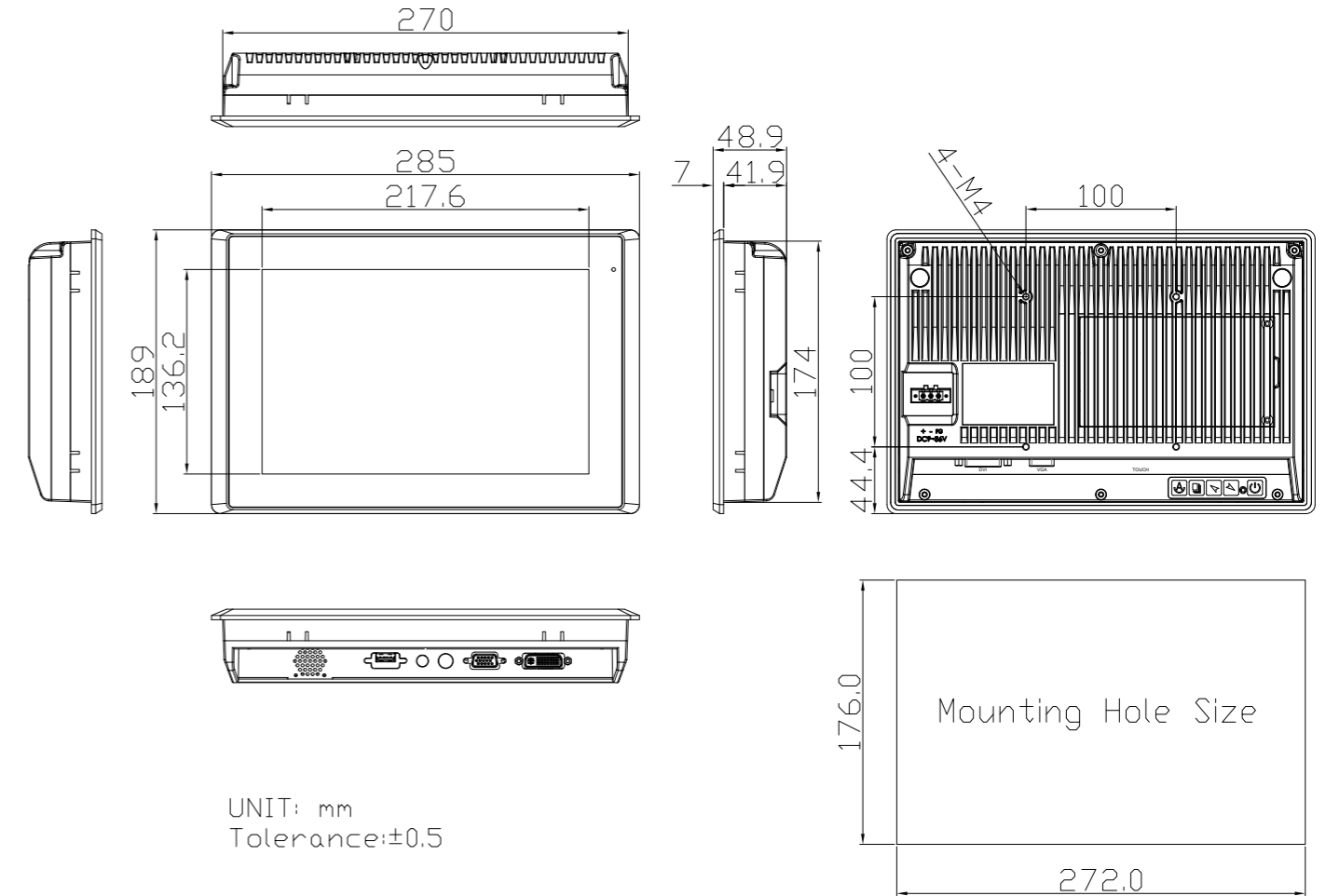
Display	Standard	High Brightness Optional
Display Type	10.1" TFT LCD	10.1" TFT LCD
Max. Resolution	1280 x 800	1280 x 800
Max. Color	16.7M	16.7M
Luminance (cd/m ²)	350	1000
View Angle	170(H) / 170(V)	170(H) / 170(V)
Contrast	500:1	1000:1
Backlight Lifetime	40,000 hrs	30,000 hrs

Touch Screen	
Type	Resistive Touch (For ARCDIS-110 model) Projected Capacitive Touch (For ARCDIS-110P model) Glass-AR (For ARCDIS-110G model)
Interface	USB default (Resistive / Projected Capacitive Touch) RS-232 Option (Resistive Touch)
Light Transmission(%)	Resistive Touch : over 80% Projected Capacitive Touch : over 90%

Power	
Power Input	DC 9~36V
Power Consumption	MAX: 6.2W (110) / MAX: 6W (110P)

Mechanical	
Construction	Aluminum die-casting chassis
Mounting	Panel mount / VESA mount 100 x 100
IP Rating	IP66 compliant front panel / IP69K(option)
Dimensions (WxHxD)	285 x 189 x 48.9 mm
Net Weight	2.1 kg

Dimensions



UNIT: mm
Tolerance:±0.5

Environmental	
Operating Temperature	0~50°C / -20~60°C for option
Storage Temperature	-30~70°C
Storage Humidity	10 to 90% @ 40°C, Non-condensing, without touch screen
Certificate	CE/FCC, Class A

Ordering Information	
ARCDIS-110	10.1" WXGA FPD Industrial Display, Resistive Touch Window, VGA, DVI input, 5 keys Rear OSD, DC 9~36V power input with adapter, Aluminum Die-casting Chassis.
ARCDIS-110P	10.1" WXGA FPD Industrial Display, Projected Capacitive touch screen, VGA, DVI input, 5 keys Rear OSD, DC 9~36V power input with adapter, Aluminum Die-casting Chassis.
ARCDIS-110G	10.1" WXGA FPD Industrial Display, Glass screen, VGA, DVI input, 5 keys Rear OSD, DC 9~36V power input with adapter, Aluminum Die-casting Chassis.



VIVATECH LLC
Sharjah Media City, Sharjah, UAE
Call: +97 1589584527
Call: +91 9004784527
Email : sales@vivatech.ae
Website : www.vivatech.ae