

Features

- Solid aluminum die-casting chassis
- Variety of LCD panel size selections
- IP66 compliant front panel / IP69K for option
- VGA, DVI, HDMI and DP input
- Wide range DC 9~36V power input

Specifications

I/O Port	
VGA	1 x VGA
DVI	1 x DVI-D
DP	1 x DP
HDMI	1 x HDMI
OSD Control Membrane	OSD at rear side
Power	1 x 3-pin terminal block for DC 9~36V power input
LED Light	1 x system power LED light
Speaker	1 x 2W speaker for option
Others	1 x USB type B for touch control Optional I/O: 1 x Line in by phone jack 1 x RS-232 DB-9 for touch control

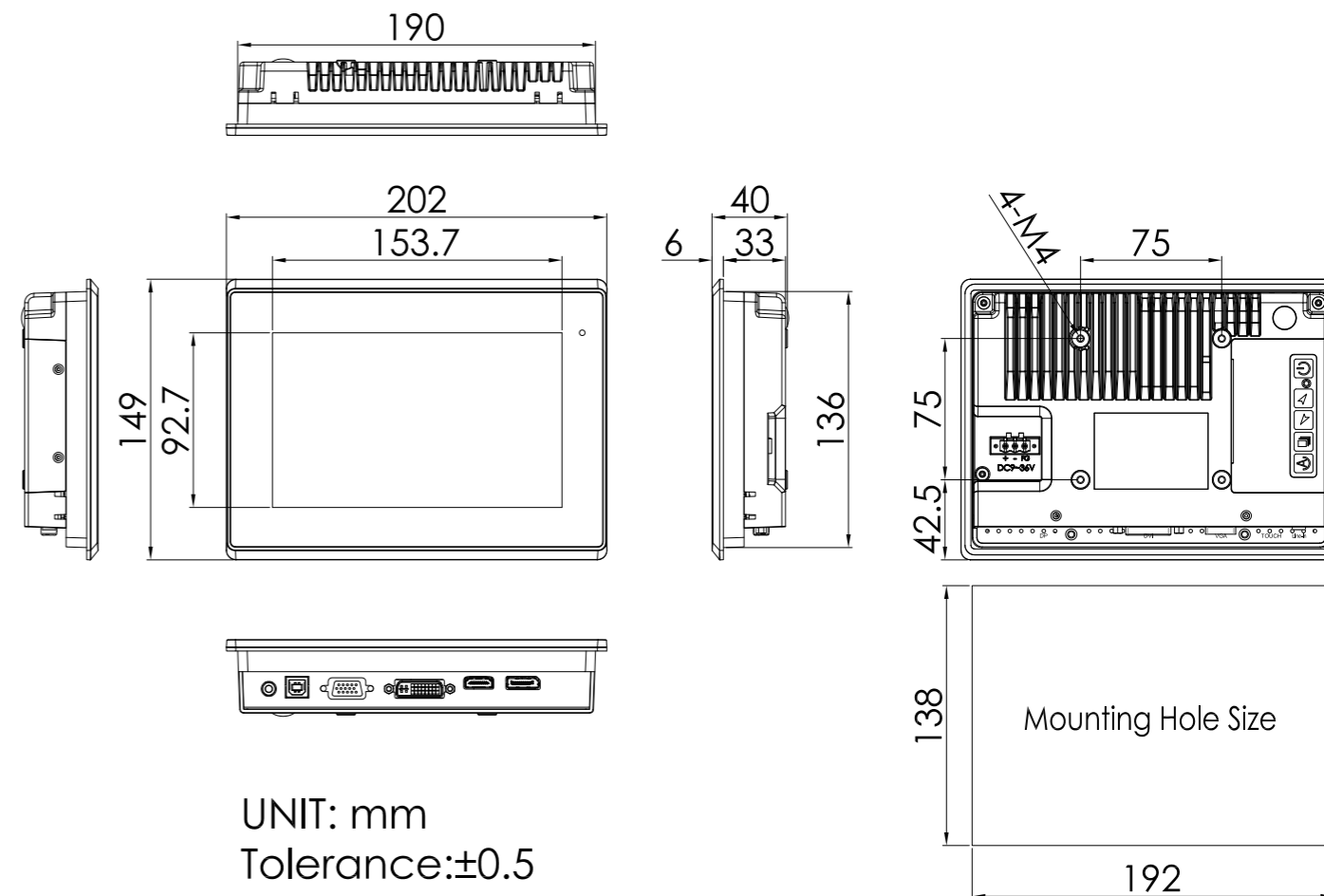
Display	Standard	High Brightness Optional
Display Type	7" TFT LCD	7" TFT LCD
Max. Resolution	800 x 480	800 x 480
Max. Color	262K	262K
Luminance (cd/m ²)	350	1000
View Angle	140(H) / 110(V)	140(H) / 130(V)
Contrast	400:1	400:1
Backlight Lifetime	40,000 hrs	50,000 hrs

Touch Screen	
Type	Resistive Touch (For ARCDIS-107AR model) Projected Capacitive Touch (For ARCDIS-107AP model) Glass-AR (For ARCDIS-107AG model)
Interface	USB default (Resistive / Projected Capacitive Touch) RS-232 Option (Resistive Touch)
Light Transmission(%)	Resistive Touch : over 80% Projected Capacitive Touch : over 90%

Power	
Power Input	DC 9~36V
Power Consumption	ARCDIS-107AP: 3.9W

Mechanical	
Construction	Aluminum die-casting chassis
Mounting	Panel mount / VESA mount 75 x 75
IP Rating	IP66 compliant front panel / IP69K(option)
Dimensions (WxHxD)	202 x 149 x 40 mm
Net Weight	1.1 kg

Dimensions



UNIT: mm
Tolerance:±0.5

Environmental	
Operating Temperature	0~50°C / -20~60°C for option
Storage Temperature	-30~70°C
Storage Humidity	10 to 90% @ 40°C, Non-condensing, without touch screen
Certificate	CE/FCC, Class A



VIVATECH LLC
Sharjah Media City, Sharjah, UAE
Call: +97 1589584527
Call: +91 9004784527
Email : sales@vivatech.ae
Website : www.vivatech.ae