

Features

- 15" TFT-LCD
- Intel Celeron Processor N2930
- SUS 316 Stainless Steel
- Total IP66 Grade with M12 Waterproof Connector
- Variety of IO applications
- Wide range DC 9~36V Power Input
- Support Panel Mount & VESA Mount
- Support Projected Capacitive Touch
- Full Flat Bezel and Fanless Design
- ATEX Zone2, IECEx and C1D2 Certified

Specifications

System	
CPU	Onboard Intel Celeron N2930 Processor (2M Cache, 1.83GHz)
System Chipset	SoC
Memory	Onboard 4GB DDR3L SDRAM, 8GB(option)

IO Port	
USB	1 x M12 8-pin for 2 x USB 2.0 with waterproof cover and chain
Serial / Parallel	1 x M12 8-pin for COM1, RS-232/422/485, default RS-232, with waterproof cover and chain
LAN	2 x M12 8-pin for LAN with waterproof cover and chain
Graph	1 x M12 8-pin for VGA with waterproof cover and chain
Power	1 x M12 3-pin for DC power connector with waterproof cover and chain

Storage Space	
HDD	1 x 2.5" HDD or SSD space 1 x mSATA space
Movable Device	1 x Internal SD Card

Expansion	
Expansion Slot	1 x Mini-PCIe (full size)

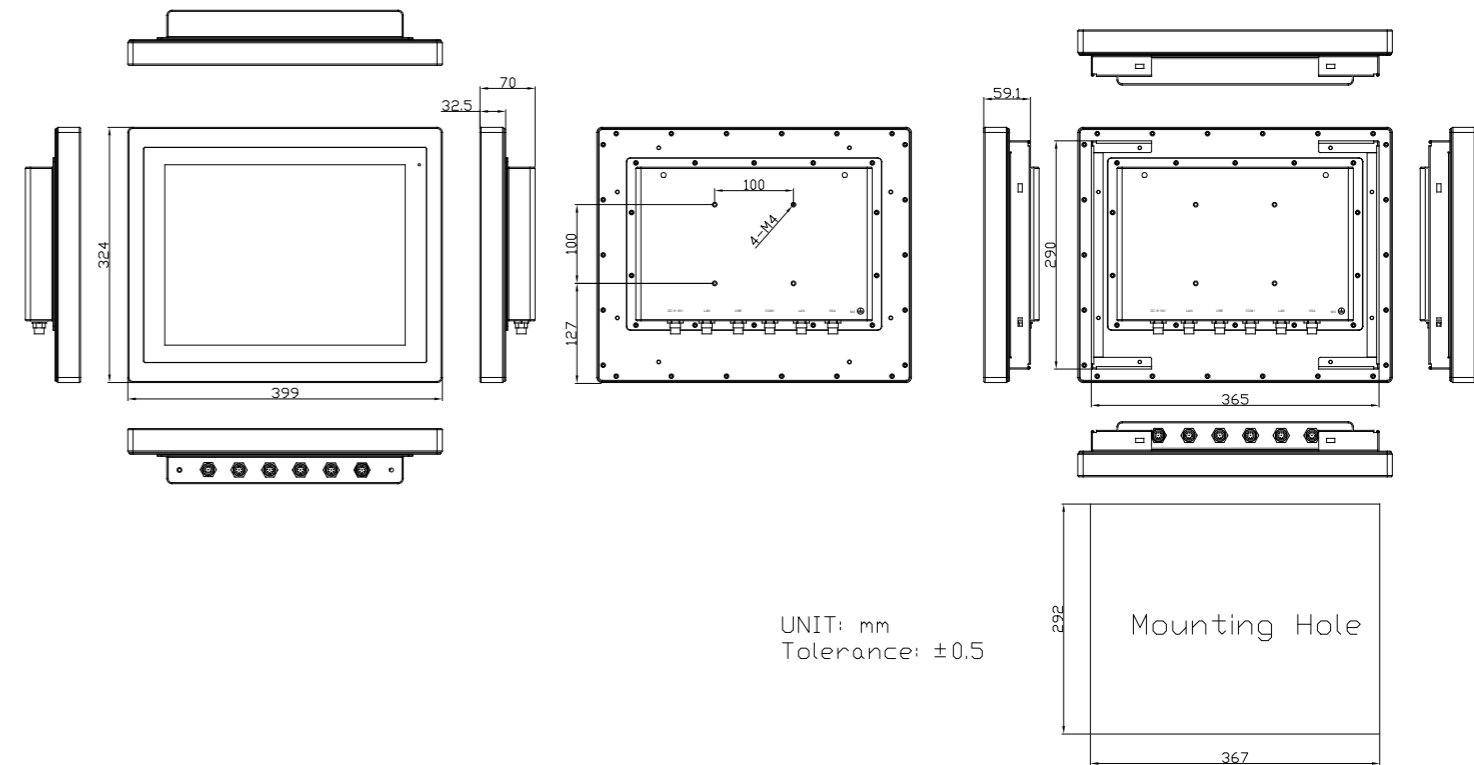
	Standard	High Brightness Optional
	15" TFT-LCD	15" TFT-LCD
Max. Resolution	1024 x 768	1024 x 768
Max. Color	16.7M / 262K	16.7M
Luminance (cd/m ²)	450	1000
View Angle	160(H) / 150(V)	160(H) / 150(V)
Contrast	800:1	800:1
Backlight Lifetime	50,000 hrs	50,000 hrs

Touch Screen	
Type	Projected Capacitive Touch
Interface	USB
Light Transmission(%)	90%

Power	
Power Input	DC 9~36V
Power Consumption	AEx-815P: 19W

Mechanical	
Construction	316 stainless steel chassis
Mounting	VESA mount 100 x 100, Panel mount (option)
IP Rating	Total IP66
Dimensions	399 x 324 x 70 mm
Net Weight	9.7 kg

Dimensions



Environmental	
Operating Temperature	-20~60°C
Storage Temperature	-30~70°C
Storage Humidity	10 to 90% @ 40°C, non- condensing
Safety	CE / FCC Class A, ATEX Zone2 Ex nA ic IIC T4 Gc Class I, Division2, Group ABCD T4 ANSI/ISA 12.12.01-2013 CSA Std. C22.2 No213-1987

Operating System Support	
Windows embedded 7	
Windows embedded 8.1	
Windows 10 IoT ENT LTSB	

Ordering Information	
AEX-815P	15" XGA IP66 Intel Celeron N2930 1.8G CPU fan less panel PC, 4GB DDR3L memory on board, 1 x 128GB 2.5" MLC SSD, 1 x 64GB mSATA MLC SSD, Projected capacitive touch, DC9~36V power input with power adapter, 316 stainless steel enclosure, support VESA Mount, WT-20~60 Accessory : 1 x M12 for 2 x USB2.0 Cable, 2 x M12 LAN cable, 1 x M12 COM Cable, 1 x VGA Cable, 1 x 3pin power input cable (w/o Adapter)
AEX-815PH	15" XGA HB1000nits IP66 Intel Celeron N2930 1.8G CPU fan less panel PC, 4GB DDR3L memory on board, 1 x 128GB 2.5" MLC SSD, 1 x 64GB SATA MLC SSD, Projected capacitive touch, DC9~36V power input with power adapter, 316 stainless steel enclosure, support VESA Mount, WT-20~60 Accessory : 1 x M12 for 2 x USB2.0 Cable, 2 x M12 LAN cable, 1 x M12 COM Cable, 1 x VGA Cable, 1 x 3pin power input cable (w/o Adapter)



VIVATECH LLC
Sharjah Media City, Sharjah, UAE
Call: +97 1589584527
Call: +91 9004784527
Email : sales@vivatech.ae
Website : www.vivatech.ae