

### Features



- SUS 316 Stainless Steel
- Total IP66 Grade with M12 Waterproof Connector
- Wide range DC 9~36V Power Input
- Support Panel Mount & VESA Mount
- Support Projected Capacitive Touch
- Full Flat Bezel and Fanless Design
- Stainless Steel OSD Function Key
- ATEX Zone2, IECEx and C1D2 Certified
  - IECEX Certification: Ex nA ic IIC T4 Gc
  - ATEX Certification: Ex II 3 G
  - C1D2 Certification: Class I, Division 2, Groups A, B, C, D T4

### Specifications

External I/O	
USB	1 x M12 8-pin for 2 x USB 2.0 for Touch Control with waterproof cover and chain
Graph	1 x M12 12-pin for VGA with waterproof cover and chain
Function Keypad	1 x M12 8-pin for OSD Cable & External OSD BOX with waterproof cover and chain
Power	1 x M12 3-pin for DC power connector with waterproof cover and chain

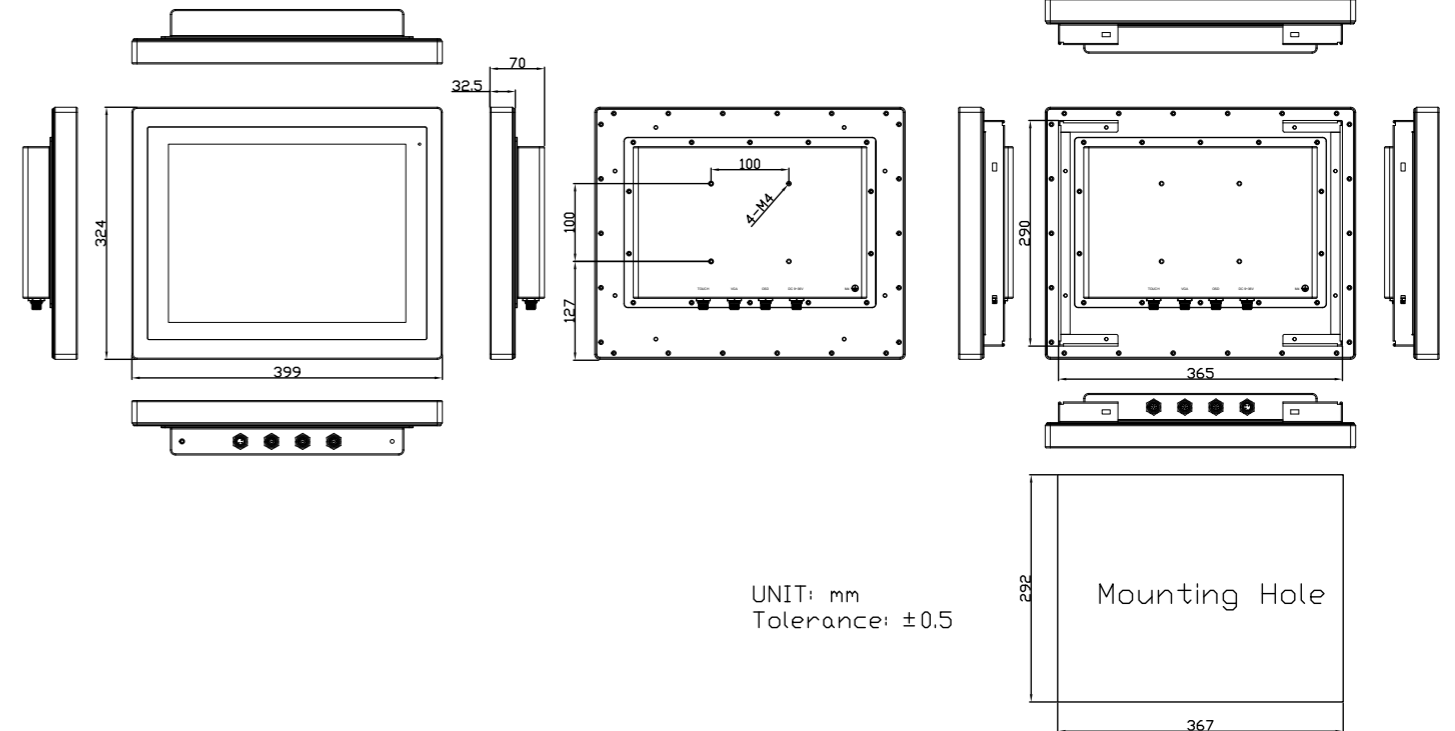
Display	Standard	High Brightness Optional
Display Type	15" TFT-LCD	15" TFT-LCD
Max. Resolution	1024 x 768	1024 x 768
Max. Color	16.7M / 262K	16.7M
Luminance (cd/m <sup>2</sup> )	450	1000
View Angle	160(H) / 150(V)	160(H) / 150(V)
Contrast	800:1	800:1
Backlight Lifetime	50,000 hrs	50,000 hrs

Touch Screen	
Type	Projected Capacitive Touch
Interface	USB
Light Transmission(%)	90%

Power	
Power Input	DC 9~36V
Power Consumption	AEx-115P: 17W

Mechanical	
Construction	316 stainless steel chassis
Mounting	VESA mount 100 x 100, Panel mount (option)
IP Rating	Total IP66
Dimensions	399 x 324 x 70 mm
Net Weight	8.4 kg

### Dimensions



Environmental	
Operating Temperature	-20~60°C
Storage Temperature	-30~70°C
Storage Humidity	10 to 90% @ 40°C, non- condensing
Safety	CSA C22.2 No.61010
Certificate	CE / FCC Class A, ATEX Zone2 Ex nA ic IIC T4 Gc Class I, Division2, Group ABCD T4 ANSI/ISA 12.12.01-2013 CSA Std. C22.2 No213-1987

Operating System Support	
Windows embedded 7	
Windows embedded 8.1	
Windows 10 IoT ENT LTSB	

Ordering Information	
AEX-115P	15" XGA IP66, 316 Stainless display, VGA input, external OSD box, Projected capacitive touch, 9~36V DC Power input, VESA Mount, WT-20~60 Accessory : 1 x M12 for USB touch cable, 1 x VGA Cable, 1 x 3pin power input cable (w/o Adapter)
AEX-115PH	15" XGA HB1000nits, 316 Stainless display, VGA input, external OSD box, Projected capacitive touch, 9~36V DC Power input, VESA Mount, WT-20~60 Accessory : 1 x M12 for USB touch cable, 1 x VGA Cable, 1 x 3pin power input cable (w/o Adapter)



VIVATECH LLC  
Sharjah Media City, Sharjah, UAE  
Call: +97 1589584527  
Call: +91 9004784527  
Email : [sales@vivatech.ae](mailto:sales@vivatech.ae)  
Website : [www.vivatech.ae](http://www.vivatech.ae)